

6

5

4

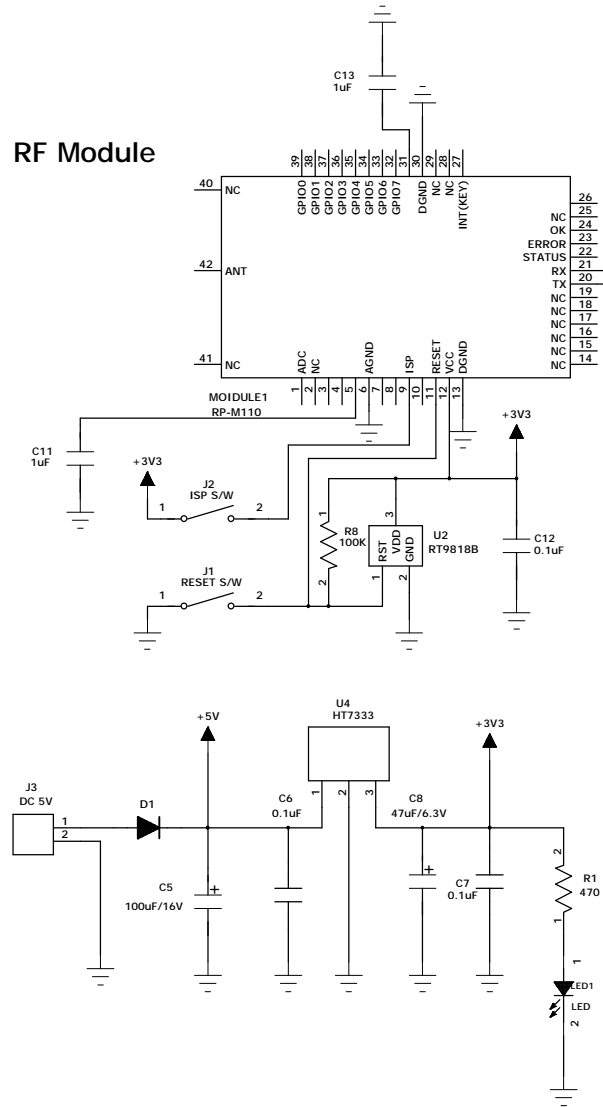
3

2

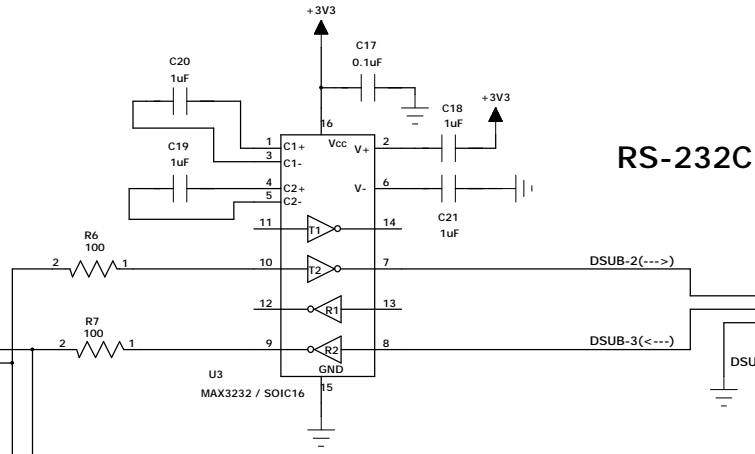
1

REVISION RECORD			
LTR	ECO NO:	APPROVED:	DATE:

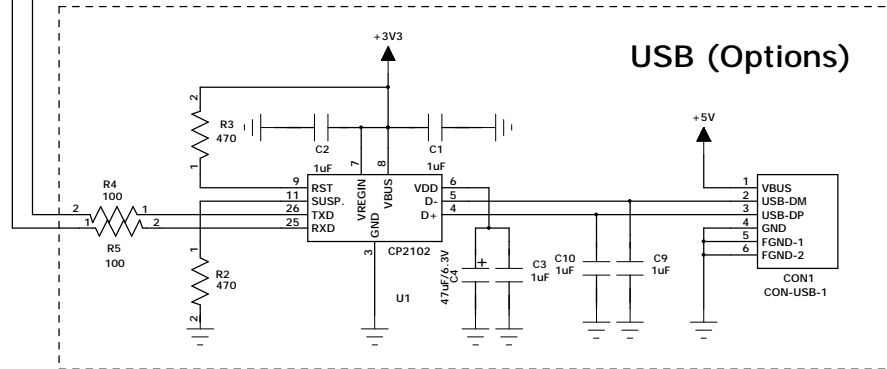
RF Module



RS-232C



USB (Options)



COMPANY: 네오틱스(주)			
TITLE: 2.4GHz ZigBee Module Evaruation Board			
DRAWN: LEE KR	DATED: 20101011	CODE:	SIZE: B
CHECKED:	DATED:	DRAWING NO: NR-D24ZAE	REV: 1.0
QUALITY CONTROL:	DATED:	SHEET: 1 of 1	
RELEASED:	DATED:	SCALE:	