

SW1	
FREQ.-1	305KHz
FREQ.-2	355KHz
FREQ.-3	405KHz

SW2
Voice Transmittle/Receive Control

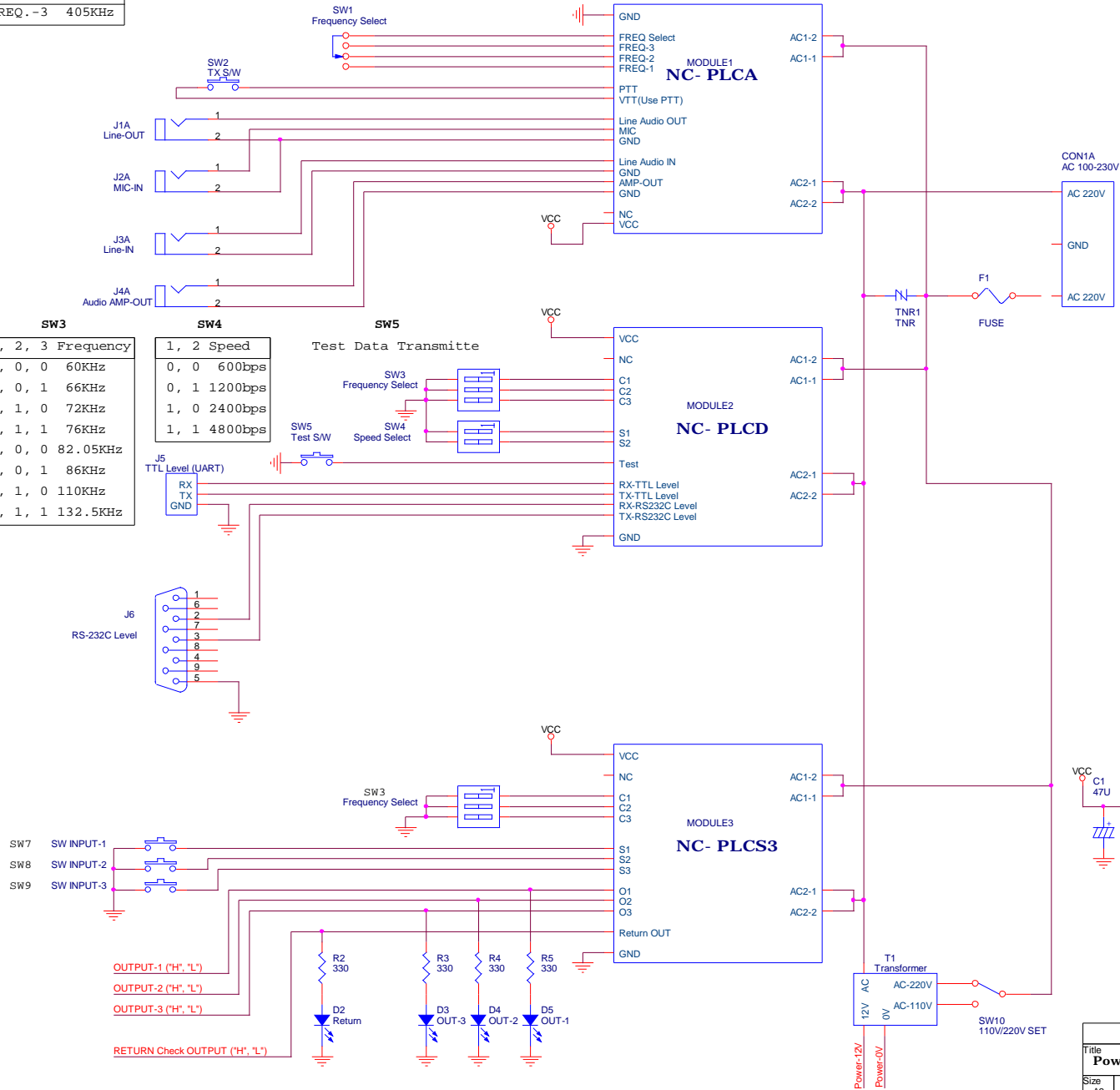
1, 2, 3	Frequency
0, 0, 0	60KHz
0, 0, 1	66KHz
0, 1, 0	72KHz
0, 1, 1	76KHz
1, 0, 0	82.05KHz
1, 0, 1	86KHz
1, 1, 0	110KHz
1, 1, 1	132.5KHz

1, 2	Speed
0, 0	600bps
0, 1	1200bps
1, 0	2400bps
1, 1	4800bps

SW5
Test Data Transmittle

SW7 SW INPUT-1
SW8 SW INPUT-2
SW9 SW INPUT-3

OUTPUT-1 ('H', 'L')
OUTPUT-2 ('H', 'L')
OUTPUT-3 ('H', 'L')
RETURN Check OUTPUT ('H', 'L')



www.neotics.co.kr		
Title Power Line Communication Modem Evaluation KIT		
Size A3	Document Number NC- EPLC	Rev 1.0
Date: Thursday, October 30, 2008	Sheet 1	of 1